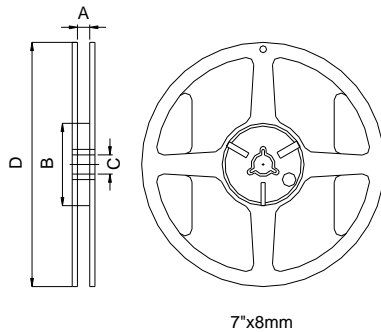


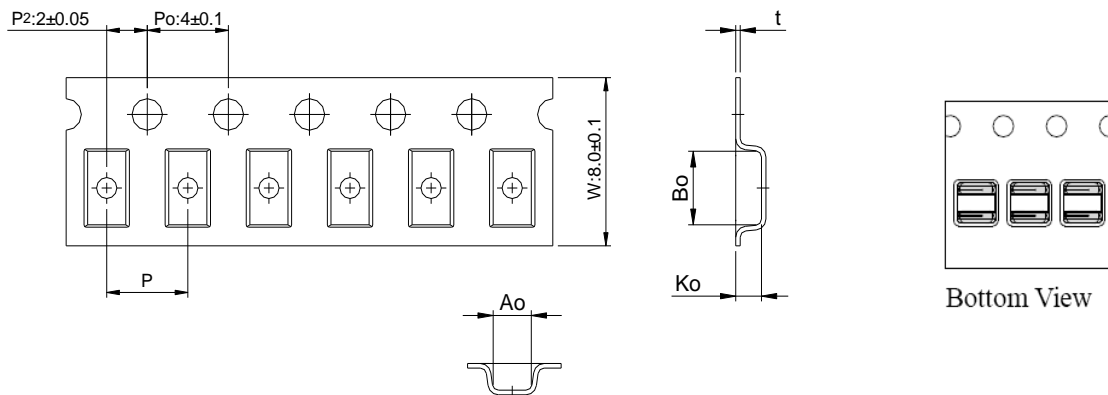
## Packaging Information

### • Reel Dimension



Type	A(mm)	B(mm)	C(mm)	D(mm)
7"x8mm	8.4±1.0	50 min.	13±0.8	178±2

### • Tape Dimension



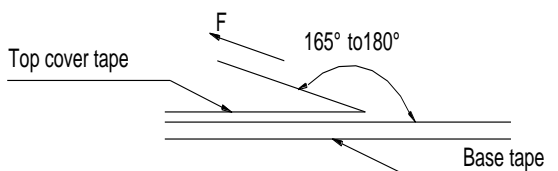
Ao(mm)	Bo(mm)	Ko(mm)	P(mm)	t(mm)
2.45±0.1	2.85±0.1	1.40±0.1	4.0±0.1	0.23±0.05

### • Packaging Quantity

Size	Reel
JNR 252008R	2000

### • Tearing Off Force

The force for tearing off cover tape is 15 to 80 grams in the arrow direction under the following conditions



Room Temp. (°C)	Room Humidity (%)	Room atm (hPa)	Tearing Speed mm/min
5~35	45~85	860~1060	300